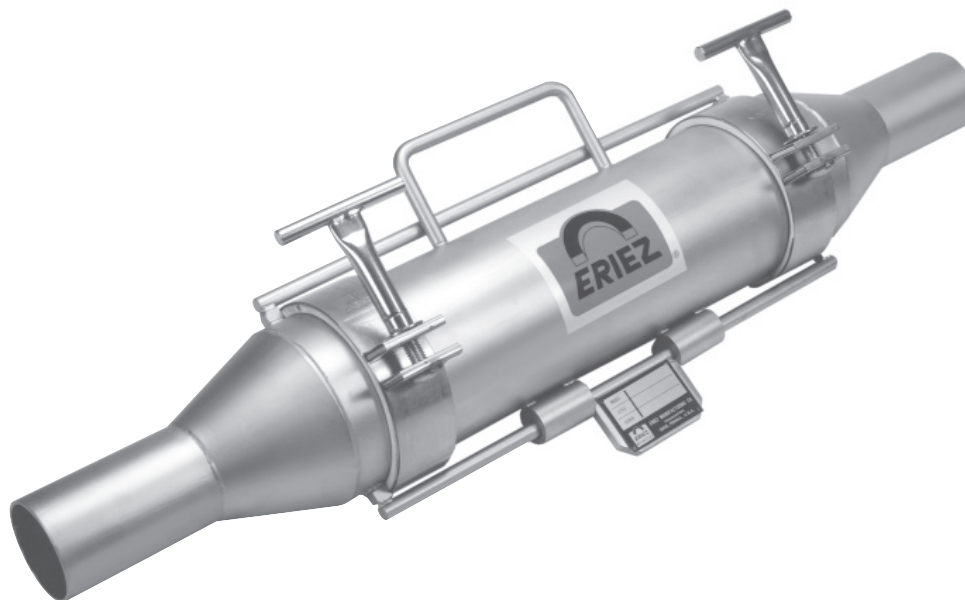




RF CARTRIDGE

PERMANENT MAGNETIC SEPARATOR

Powerful, radial-field magnet removes tramp iron from dry, free-flowing materials in gravity or 25 psi pneumatic conveying lines.



FEATURES & BENEFITS

- High strength permanent tapered-step magnetic elements
- Available with SuperStrength Erium® 3000 Rare Earth magnet material
- Stainless steel housing construction
- Removable magnet element with built-in handles for easy cleaning
- Utilizes typical pneumatic conveyor couplings for easy operation and positive seal
- Independent magnet element for easy handling
- Standard units available for up to 25 psig (1.7 bar) operation
- High pressure units available

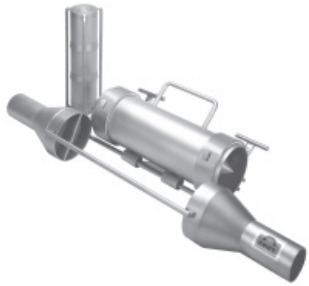
ONLY FROM ERIEZ

EEriez' "RF" (Radial Field) Cartridge Magnet is ideal for removing tramp iron from dry, free-flowing food or chemical products conveyed in pneumatic pipelines.

Material enters the housing, is distributed by a solid stainless steel cone and passes in close proximity to the magnetic cartridge.

Ferrous contamination is attracted and held by the magnet while the separated product continues past the magnet and out of the housing. The ferrous contamination remains on the magnet until the cartridge is removed and cleaned.

INSTALLATION AND OPERATION



Compact overall dimensions allow the RF Cartridge Magnet to be installed in tight quarters. A section of pipe is removed and the magnetic separator put in its place. Eriez offers optional end diameters, couplers, adaptors or flanges for customized installations.

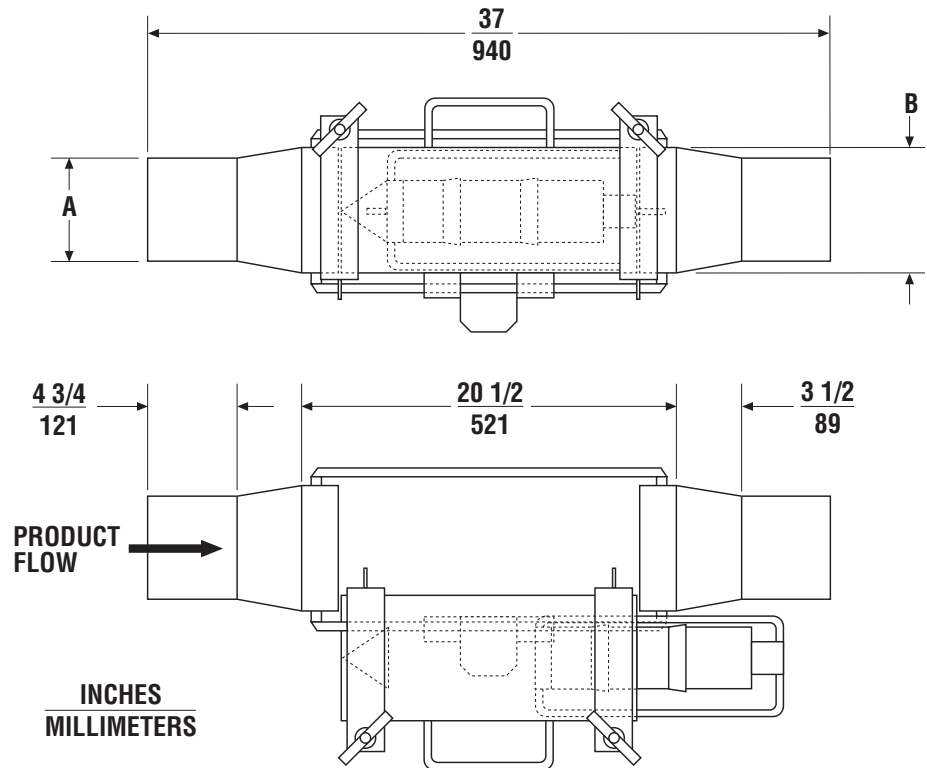
Accumulated tramp iron is removed in a few easy steps:

1. Loosen the two T-handles.
2. Slide couplers to center section.
3. Swing out magnet section.
4. Lift magnet out and wipe clean.

ALSO FROM ERIEZ

Eriez also builds magnetic round pipe and hump separators, pressure hump separators for up to 15 psi (1 bar), self-cleaning hump separators and magnetic traps for pipeline applications as well as a comprehensive line of magnetic and vibratory equipment

SPECIFICATIONS



A INLET O.D.		B HOUSING O.D.		WEIGHT	
in	mm	in	mm	lb	kg
3	76	5-9/16	141	95	43.2
4	102	5-9/16	141	95	43.2
5	127	6-5/8	168	110	50
6	152	8-5/8	219	130	59

Dimensions and specifications are subject to change without notice.

Note: Some safety warning labels or guarding may have been removed before photographing this equipment

Eriez and Eriez Magnetics are registered trademarks of Eriez Manufacturing Co., Erie, PA
©2007 Eriez Magnetics • All Rights Reserved

Web Site: <http://www.eriez.com>

e-mail: eriez@eriez.com



Telephone 814/835-6000 • 800/345-4946 • Fax 814/838-4960 • International Fax 814/833-3348

HEADQUARTERS: 2200 Asbury Road, P.O. Box 10608, Erie, PA 16514-0608 U.S.A.

MANUFACTURING: Australia • Brazil • Canada • China • India • Japan • Mexico • South Africa • United Kingdom • United States

World Authority in Advanced Technology for Magnetic, Vibratory and Inspection Applications